

TS1400

DIAGRAM 1

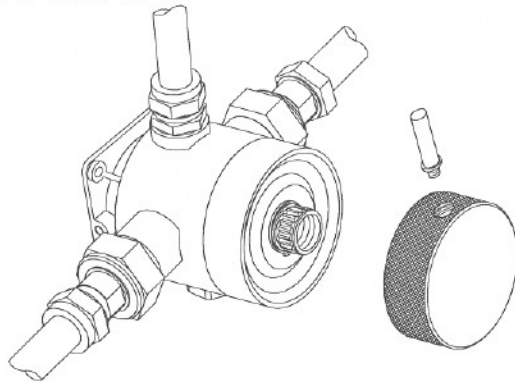
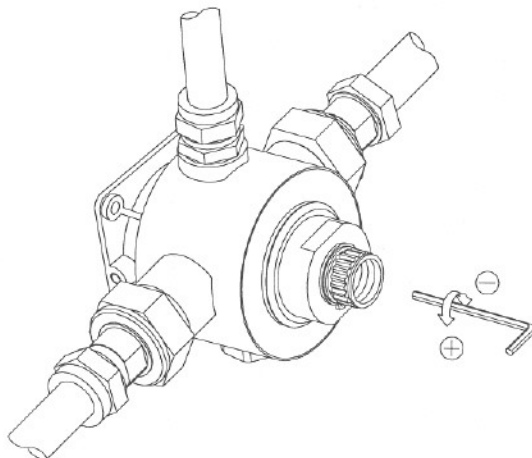


DIAGRAM 2



- TO ADJUST MAXIMUM SET TEMPERATURE
- TURN SHOWER CONTROL TO MAXIMUM TEMPERATURE SETTING
- REMOVE CONTROL KNOB (SEE 'TO REMOVE CONTROL KNOB')
- INSERT 2.5MM ALLEN KEY INTO MIDDLE OF CARTRIDGE
- LOCATE ADJUSTING SCREW TURN ANTI CLOCKWISE TO INCREASE TEMPERATURE. TURN CLOCKWISE TO DECREASE TEMPERATURE
- REPLACE CONTROL KNOB