

TS1400

DIAGRAM 1

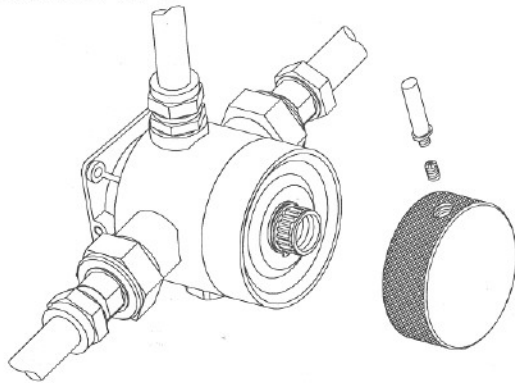
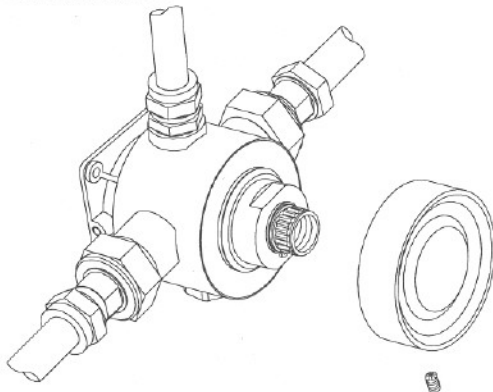


DIAGRAM 2



- TO REMOVE CONTROL KNOB & SLEEVE
- REMOVE LEVER TO EXPOSE GRUB SCREW
- USING 2.5MM ALLEN KEY REMOVE GRUB SCREW (STANDARD RIGHT HAND THREAD)
- PULL OFF CONTROL KNOB
- USING 2.5MM ALLEN KEY REMOVE GRUB SCREW AND PULL OFF SLEEVE