

# TS1500,DELUXE, MIXAGE,GRAPHITE

DIAGRAM 1

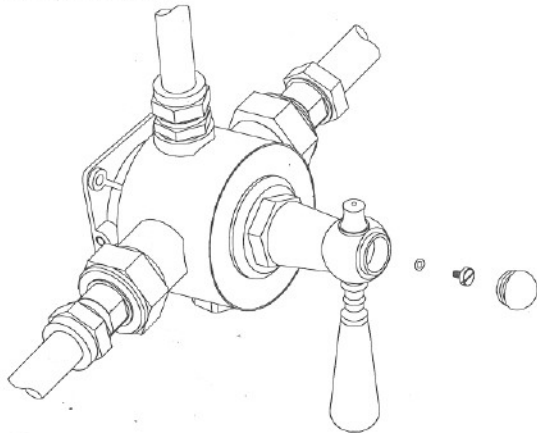
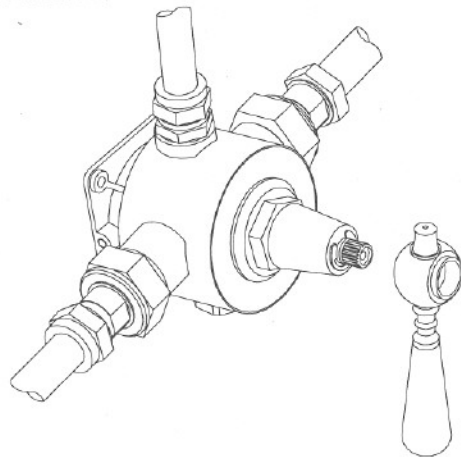


DIAGRAM 2



- REMOVAL OF CONTROL LEVER
- UNSCREW CENTRE INDICE AND RETAINER TO REVEAL RETAINING SCREW
- REMOVE THE RETAINING SCREW USING A SUITABLE SCREWDRIVER. AS PER DIAGRAM 1
- PULL LEVER OFF SPINDLE. AS PER DIAGRAM 2