

TS1503, OPAC

DIAGRAM 1

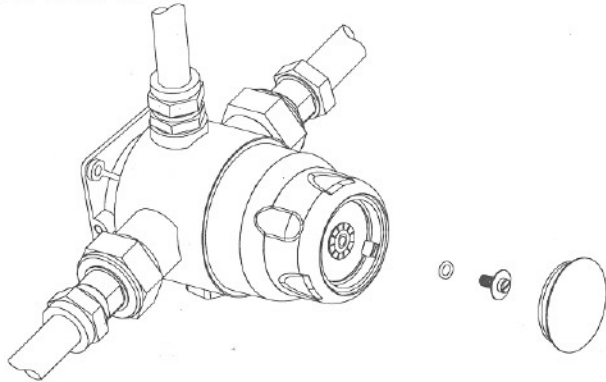
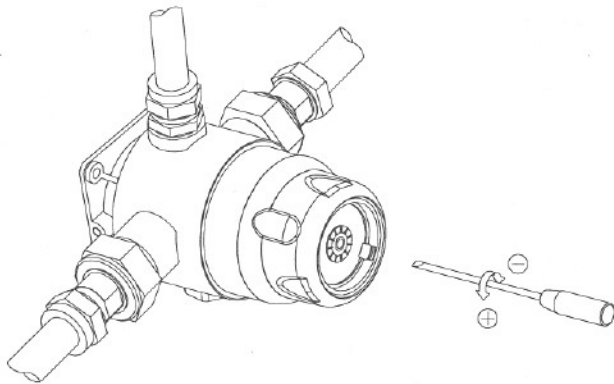


DIAGRAM 2



TO ADJUST MAXIMUM SET TEMPERATURE

- USING A SUITABLE TOOL, REMOVE THE CENTRE INDICE TO REVEAL RETAINING SCREW
- TURN THE SHOWER CONTROL FULLY ANTICLOCKWISE TO THE MAXIMUM TEMPERATURE POSITION 9.
- REMOVE THE RETAINING SCREW USING A SUITABLE SCREWDRIVER.- AS PER DIAGRAM 1
- NOTE: WATER WILL FLOW FROM THE CENTRE HOLE
- USING A THIN BLADED SCREWDRIVER, LOCATE THE TEMPERATURE ADJUSTING SCREW.
- TO INCREASE THE TEMPERATURE TURN ANTICLOCKWISE. TO DECREASE THE TEMPERATURE TURN CLOCKWISE. AS PER DIAGRAM 2
- ONCE THE DESIRED TEMPERATURE IS SET REPLACE THE RETAINING SCREW
- TURN THE SHOWER TO OFF AND REPLACE THE INDICE