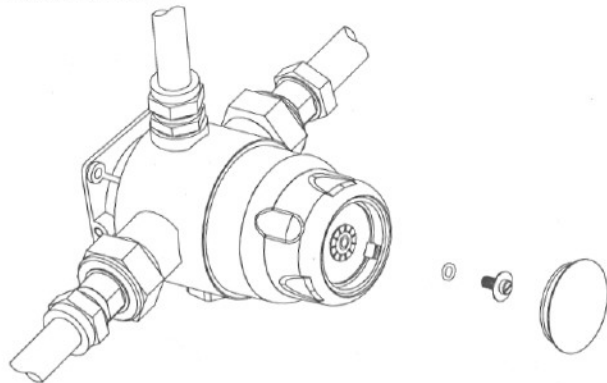


# TS1503, OPAC

DIAGRAM 1



## REMOVAL OF CONTROL KNOB

- ENSURE CONTROL SETTINGS ARE IN THE 'OFF' POSITION
- PRISE OUT INDICE, REMOVE SPINDLE SCREW & 'O' RING AS PER DIAGRAM 1
- PULL OFF CONTROL KNOB AS PER DIAGRAM 2
- FOR CONCEALED UNITS ONLY, REMOVE CONCEALING PLATE
- REMOVE RETAINING RING BY PULLING OFF SLEEVE. AS PER DIAGRAM 3

DIAGRAM 2

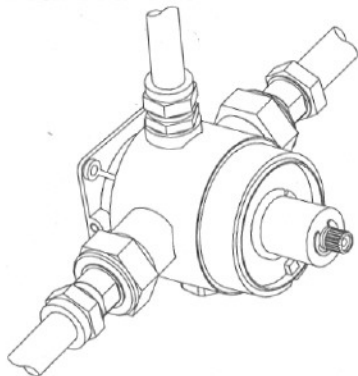


DIAGRAM 3

