

DIAMOND

DIAGRAM 1

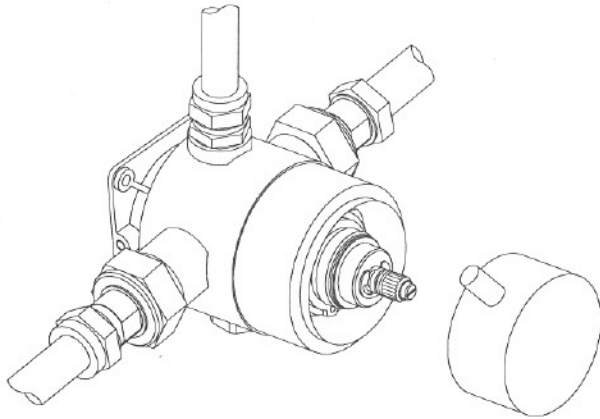
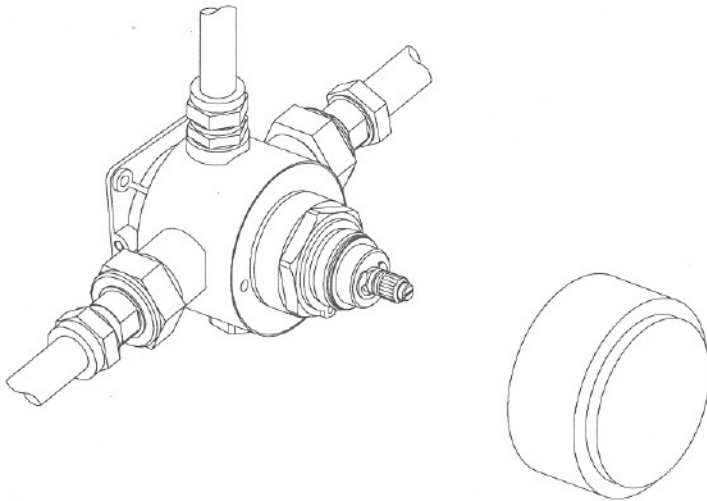


DIAGRAM 2



- **REMOVAL OF CONTROL KNOB**
- **USING A 2.5MM ALLEN KEY REMOVE GRUB SCREW FROM CONTROL KNOB**
- **PULL OFF CONTROL KNOB AS PER DIAGRAM 1**
- **USING 2.5MM ALLEN KEY REMOVE GRUB SCREW FROM BODY SLEEVE**
- **PULL OFF BODY SLEEVE AS PER DIAGRAM 2**