

# TURQUOISE

DIAGRAM 1

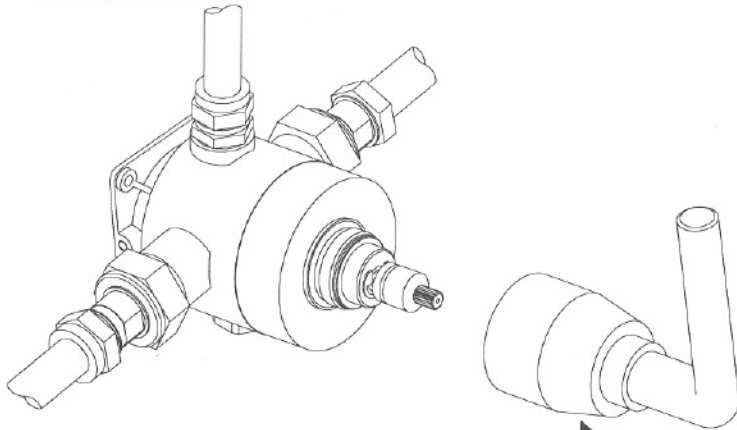
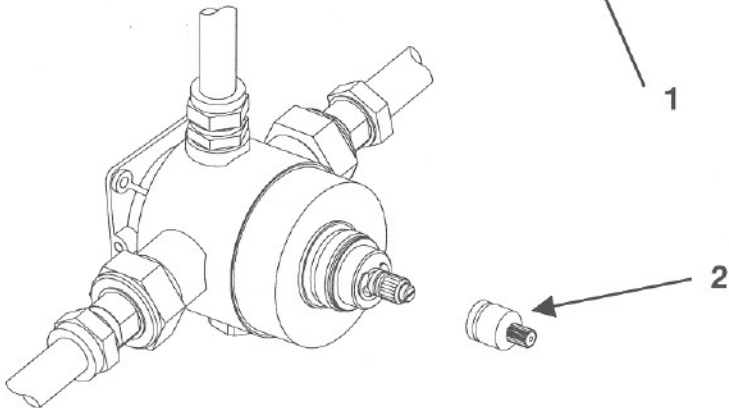


DIAGRAM 2



- REMOVAL OF CONTROL KNOB
- UNSCREW LEVER SLEEVE ASSEMBLY (1) FROM HEAD
- PULL OFF SPINDLE EXTENSION (2)
- USING A 2.5MM ALLEN KEY REMOVE GRUB SCREW
- PULL OFF SLEEVE
- PLEASE NOTE THERE ARE SLEEVE PEGS FITTED ON THIS PRODUCT