

TS1700

DIAGRAM 1

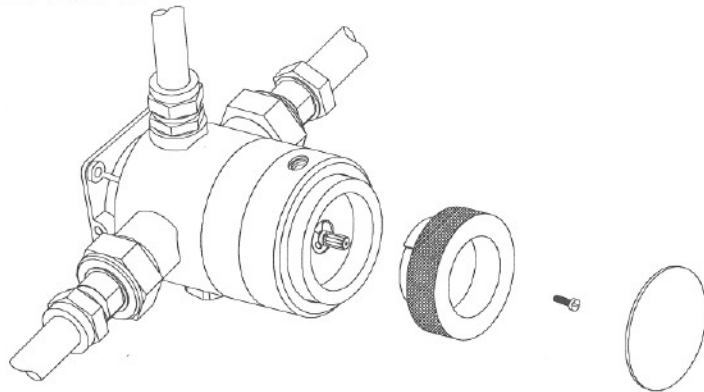
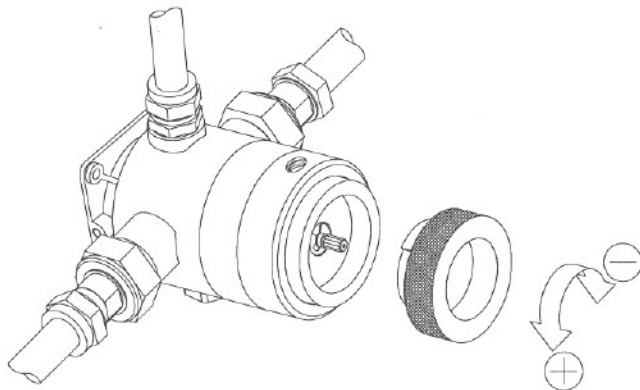


DIAGRAM 2



- TO ADJUST TEMPERATURE
- PULL OFF CENTRE KNOB CAP AS PER DIAGRAM 1
- USING A SUITABLE SCREWDRIVER REMOVE THE RETAINING SCREW
- TURN THE SHOWER FLOW CONTROL ANTICLOCKWISE TO MAXIMUM FLOW
- TO *DECREASE* THE SHOWER TEMPERATURE FIRST SET THE TEMPERATURE DIAL AT THE DESIRED POSITION, CAREFULLY REMOVE THE CONTROL AND ROTATE 1/4 TURN CLOCKWISE AS PER DIAGRAM 2
- TO *INCREASE* THE SHOWER TEMPERATURE SET THE TEMPERATURE TO THE DESIRED POSITION, CAREFULLY REMOVE THE CONTROL AND ROTATE 1/4 TURN ANTI CLOCKWISE. AS PER DIAGRAM 2
- WHEN SUITABLE TEMPERATURE IS REACHED REPLACE CONTROL KNOB.