

TS1700

DIAGRAM 1

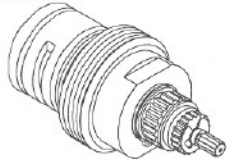


DIAGRAM 2

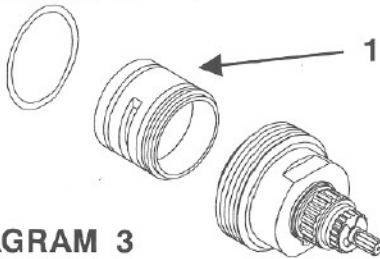


DIAGRAM 3

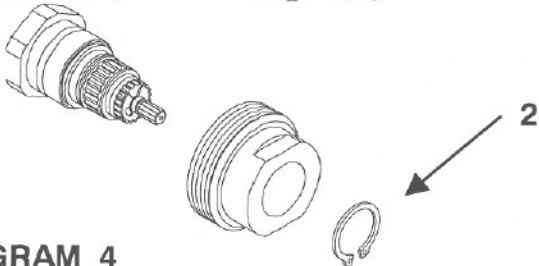
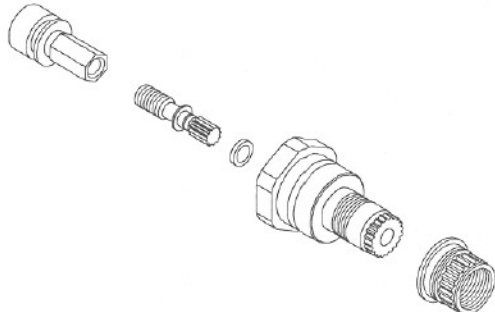


DIAGRAM 4



- TO DIS-ASSEMBLE CARTRIDGE
- REMOVE CARTRIDGE FROM BODY
- UNSCREW HALF CARTRIDGE (1) BY INSERTING A FLAT TOOL SUCH AS A FLAT FILE THROUGH THE HALF CARTRIDGE SLOTS AND A SPANNER OR VICE ON THE LARGE HEXAGON OF THE HEAD DRIVING ONE AGAINST THE OTHER (THE HALF CARTRIDGE IS A STANDARD RIGHT HAND THREAD)
- REMOVE THE CIRCLIPS (2) AND PUSH OUT THE SPINDLE AND FLOW CONTROL
- UNSCREW THE SPINDLE FROM THE SPINDLE HOUSING(LEFT HAND THREAD).