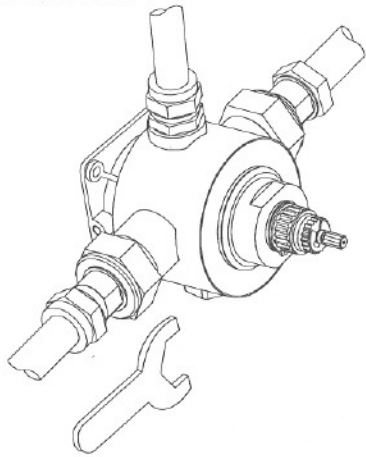


TS1700

DIAGRAM 1



- TO REMOVE CARTRIDGE FROM VALVE BODY
- REMOVE CONTROL KNOBS AS INDICATED
- USING A SUITABLE 32MM SPANNER OR SOCKET REMOVE THE CARTRIDGE FROM THE BODY (STANDARD RIGHT HAND THREAD)
- REMOVE THERMOSTAT, PISTON AND RETURN SPRING AS PER DIAGRAM 2

DIAGRAM 2

