

TS1700

DIAGRAM 1

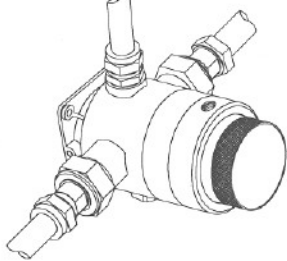


DIAGRAM 2

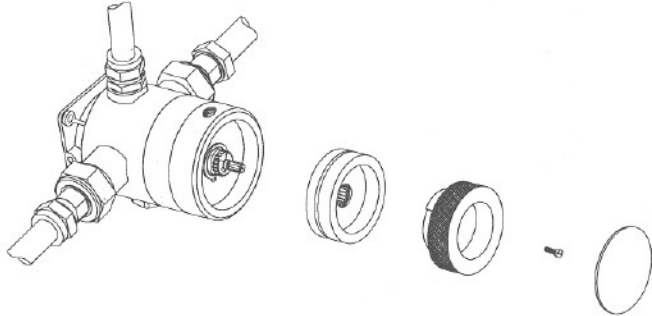


DIAGRAM 3

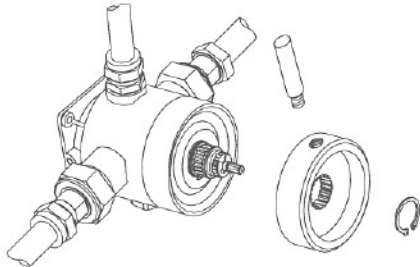
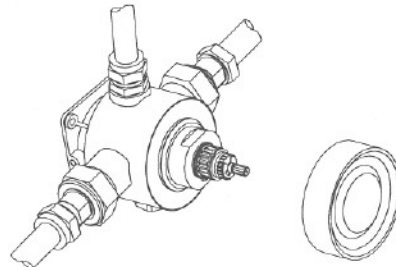


DIAGRAM 4



- TO REMOVE CONTROL KNOB
- PRISE OFF KNOB CAP AND REMOVE RETAINING SCREW PULL OFF TEMPERATURE CONTROL KNOB AND REMOVE SPACER AS PER DIAGRAM 2
- REMOVE CIRCLIP AS PER DIAGRAM 3
- PULL OFF LEVER ASSEMBLY
- USING A 2.5MM ALLEN KEY REMOVE GRUB SCREW AND PULL OFF BODY SLEEVE AS PER DIAGRAM 4