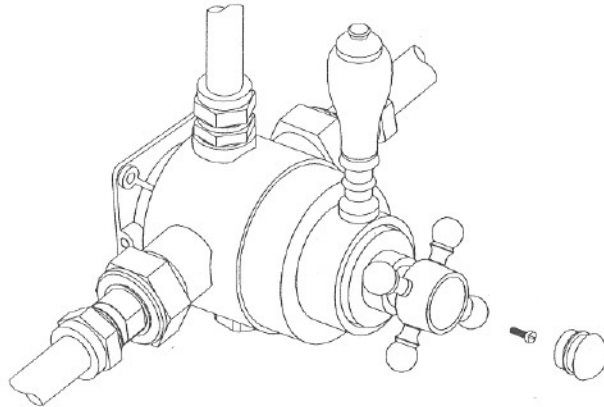
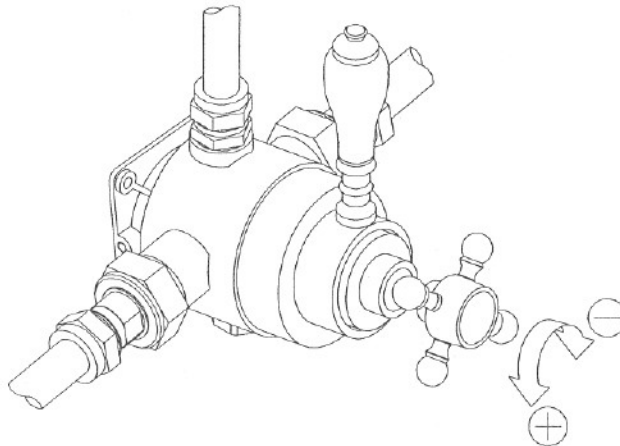


# DUELLE

**DIAGRAM 1**



**DIAGRAM 2**



- TO ADJUST MAXIMUM SET TEMPERATURE
- REMOVE THE CENTRE INDICE TO REVEAL THE RETAINING SCREW.
- REMOVE THE RETAINING SCREW USING A SUITABLE SCREWDRIVER. AS PER DIAGRAM 1
- TURN THE SHOWER FLOW CONTROL ANTICLOCKWISE TO MAXIMUM FLOW POSITON.
- TURN THE TEMPERATURE HANDLE TO THE MAXIMUM HOT POSITION.
- TO ADJUST TEMPERATURE, PULL THE CONTROL KNOB OUT 5MM, TO OVERRIDE THE STOP
- TO INCREASE TEMPERATURE TURN ANTICLOCKWISE. TO DECREASE TEMPERATURE TURN CLOCKWISE.
- ONCE THE TEMPERATURE IS SET CAREFULLY REMOVE THE CONTROL KNOB AND REFIT AGAINST THE INTERNAL SCREW STOP TO SET MAXIMUM TEMPERATURE.
- REPLACE THE RETAINING SCREW. TURN THE SHOWER OFF AND REPLACE CENTRE INDICE.