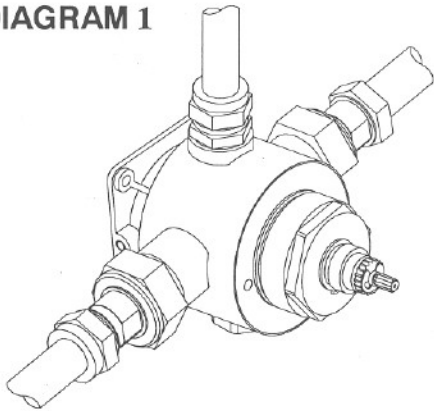


TS1850, AMETHYST, AQUAMARINE, STRATUS, DUELLE

DIAGRAM 1



- REMOVAL OF CARTRIDGE FROM VALVE
- REMOVE CONTROL KNOBS AS INDICATED
- REMOVE CARTRIDGE FROM BODY USING A SUITABLE 46MM SPANNER OR SOCKET (STANDARD RIGHT HAND THREAD)
- REMOVE PISTON, THERMOSTAT AND SPRING AS PER IN DIAGRAM 2

DIAGRAM 2

