

STRATUS

DIAGRAM 1

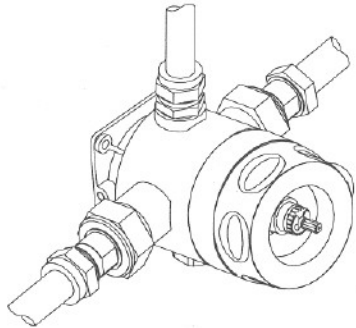


DIAGRAM 2

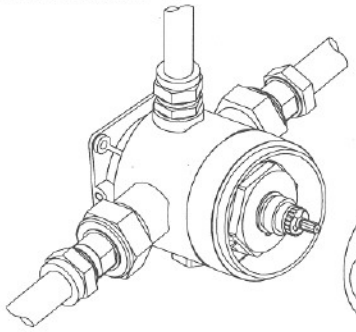
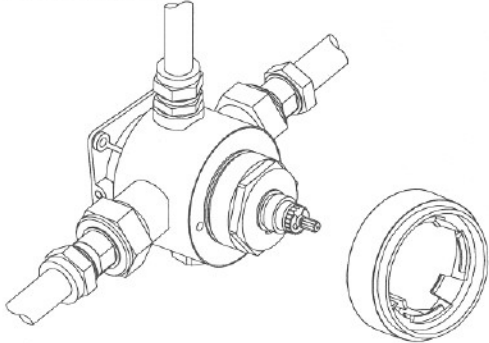


DIAGRAM 4



- REMOVAL OF CONTROL KNOB
- PRISE OUT KNOB CAP, REMOVE SPINDLE SREW AND PULL OF TEMPERATURE KNOB AND TEMPERATURE INDICATOR RING AS PER DIAGRAM 1
- FOR CONCEALED MODELS REMOVE CONCEALING PLATE
- REMOVE CIRCLP (1) USING CIRCLIP PLIERS AND REMOVE FLOW KNOB AS PER DIAGRAM 2
- PULL OFF SLEEVE. AS PER DIAGRAM 3